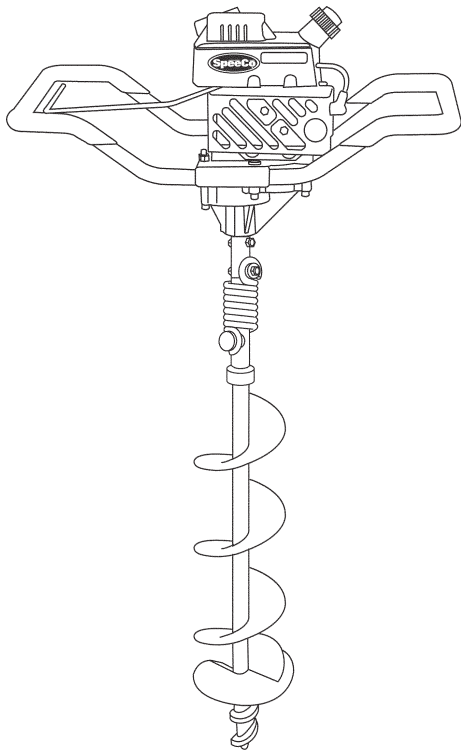
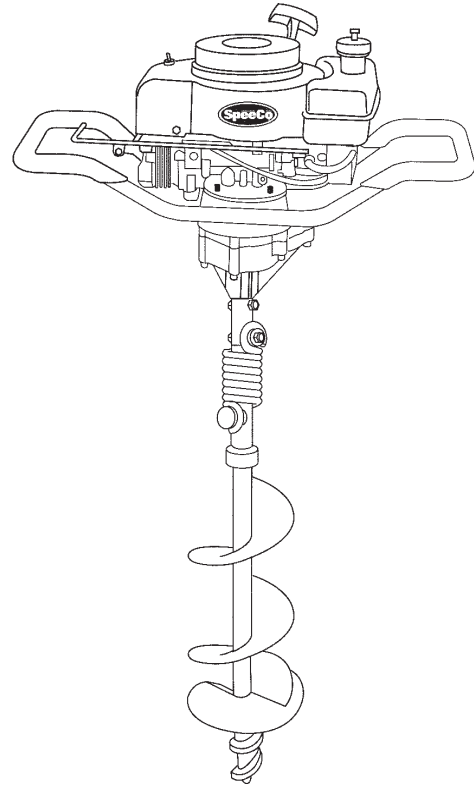




# Hand Held Earth Augers



PD241001



PD241002

## Owner's Manual

# Assembly & Operating Instructions



***This safety alert symbol identifies important safety messages in this manual. Failure to follow this important safety information may result in serious injury or death.***



# Table of Contents

	Page(s)
Important Safety Information .....	1-2
Intended Use .....	1
Personal Protective Equipment .....	1
Safety Decals .....	1
Operating Safety .....	1-2
Fire Prevention .....	2
Assembly Instructions .....	3
Operating Instructions .....	3
Parts Breakdown Illustration PD241001 .....	4
Parts Breakdown Illustration PD241002 .....	5
Parts List for PD241001 and PD241002 .....	6
Maintenance .....	7
Warranty .....	7



# IMPORTANT SAFETY INFORMATION



**WARNING:** Read and thoroughly understand all instructions and safety information before assembling or operating this hand held digger. Failure to do so may cause serious injury or death. Do not allow anyone to operate this digger who has not read this manual. As with all power equipment a hand held digger can be dangerous if assembled or used improperly. Do not operate this digger if you have doubts or questions concerning safe operation. Call our customer service department at 1-800-525-8322 to address these concerns.

*Si no entiende ingles, se prefiere que busque alguien que interprete las instrucciones para usted.*

## INTENDED USE

This product is designed to dig holes in the soil. Do **not** use it as an ice auger . It is not intended for any other use. Using this product for anything other than digging holes in the soil could result in serious injury or death.

## PERSONAL PROTECTIVE EQUIPMENT



Recommended personal protective equipment includes safety glasses and protective hearing devices. Do not wear loose clothing, open toe shoes or jewelry when operating this earth auger. Long pants are also recommended

## SAFETY DECALS

Make sure that all safety warning decals are in good condition and readable. Always replace missing or defaced decals. Write us or call 1-800-525-8322 and they will be sent to you at no charge.



PART NUMBER: DL52-2-11  
LOCATION: TOP OF GAS TANK

## OPERATING SAFETY

**NEVER** operate this earth auger without knowing and understanding all operating and safety instruction and warning decals. Read and understand also the Engine Owner's manual paying special attention to the safety section.

**ALWAYS** keep everyone clear of the rotating auger when operating this digger. Serious injury or death could result.

**ALWAYS** keep hands, feet and clothing clear of all moving parts to avoid entanglement with the rotating auger.

**NEVER** carry the auger with the engine running.

**NEVER** let children operate the auger or be near it during operation.

**NEVER** try to force the auger into the ground by using your body weight.

**NEVER** operate the earth auger or any power equipment while under the influence of alcohol, drugs or medication.

**ALWAYS** make sure that all nuts and bolts are tight before operating this earth auger.

**NEVER** operate this earth auger until you have checked with local authorities for underground utilities. Serious injury or death could result from contact with gas or electric lines.

If the auger rotates while the engine is idling, turn off the machine immediately and contact SPEECO at 1-800-525-8322 for further information.



# IMPORTANT SAFETY INFORMATION

If an obstruction is encountered during operation, release the throttle control until the engine idles down. Then remove the earth auger from the ground and turn it off. Remove the obstruction, if possible, and resume digging.

**NEVER** tilt the gas tank if the engine is running, hot or if the unit is indoors.

**NEVER** have the throttle control fully open when starting. You could easily lose control of the digger.

**NEVER** run the digger indoors. Exhaust contains carbon monoxide which is odorless and deadly.

**ALWAYS** avoid contact with the exhaust area of the engine to prevent possible burns.

**ALWAYS** remove the spark plug wire before performing any maintenance, adjustment or repairs.

## FIRE PREVENTION

**NEVER** store the digger indoors with fuel in the tank. Fumes could be ignited by a spark, flame or pilot light. **ALWAYS** drain the fuel outdoors into an approved container.

**ALWAYS** close the fuel vent cap on the engine when transporting this digger or when the engine is stopped.

**NEVER** remove the fuel cap or add fuel when the engine is running.

**NEVER** start or operate the engine with the fuel cap removed.

**ALWAYS** allow the engine to cool before refueling.

**NEVER** smoke while refueling the tank or while operating the machine.

**ALWAYS** use an approved red gasoline container to store and dispense fuel.

**ALWAYS** keep flammable materials including grass and leaves away from the muffler and the engine.

If this digger is used on or near unimproved forest-covered, brush-covered or grass-covered land the engine's exhaust system should be equipped with a spark arrester meeting applicable state or local laws (if any). A spark arrester muffler is available as an accessory at your nearest Tecumseh engine dealer.

**NEVER** operate this earth auger if there is spilled gasoline on the engine or in the immediate area. Wipe up the spill and allow the gas to evaporate before operating the digger.



### **WARNING** **CALIFORNIA PROPOSITION 65**

The engine exhaust from this product contains chemicals known to the State of California to cause cancer, birth defects or other reproductive harm.

NOTE: This manual covers two **SPEECO** Hand Held Post Hole Digger models. They include the PD241001 One Man 2 h.p. and the PD241002 One Man 3 h.p. model.

## ASSEMBLY INSTRUCTIONS

NOTE: This post hole digger was fully assembled at the factory. Refer to the illustrations and parts list should it become necessary to disassemble the unit for repair or replacement of parts.

- STEP 1:** Remove the powerhead from the box. The powerhead and auger are purchased separately. Inspect each piece for shipping damage. If any part is damaged contact your dealer or delivering carrier.
- STEP 2:** The gear box has been filled with lubricant at the factory. Check the lubricant level after approximately one year of use. Add all-purpose grease if the level is below the top of the gears. **Do not fill to the overflow point.**
- STEP 3:** Attach the auger to the output shaft on the bottom of the powerhead using the 3/8" bolt (3 or 4), lock washer (5) and nut (6). See the illustrations on pages 3 and 4. Tighten.
- STEP 4:** The PD241001 and PD241002 models use an oil/gas mixture. Refer to the enclosed Tecumseh Engine Owner's Manual for the correct oil/gas mixture, fuel, starting and other information.

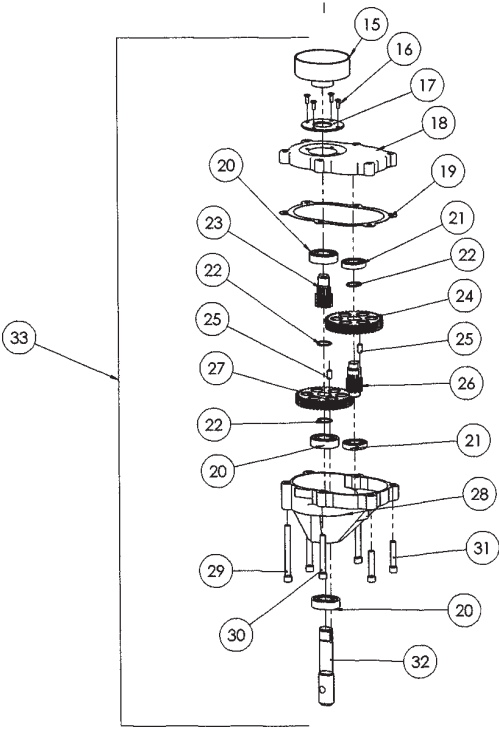
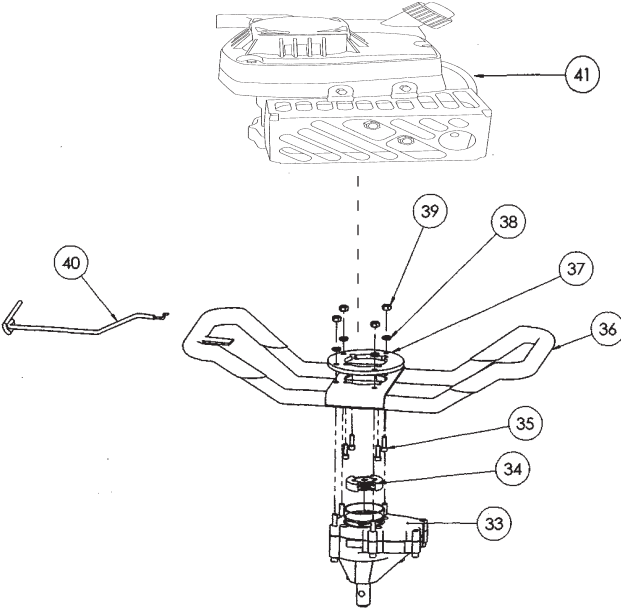
## OPERATING INSTRUCTIONS

IMPORTANT NOTE: The clutch requires a break-in period of approximately two hours. During this time some slippage may occur. For best operation and long life keep the clutch free from oil and moisture.

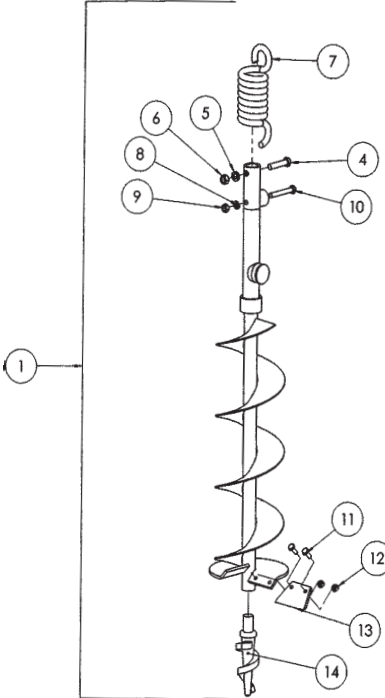
- 1) Start the engine. Never have the throttle control fully open when starting. Refer to the Tecumseh Engine Owner's Manual for starting instructions.
- 2) Place the auger point in the desired hole location. Make sure that the unit is upright. Do not dig at an angle.
- 3) Engage the throttle and start digging at a slow speed. Increase speed as the auger enters the soil.
- 4) Do not try to force the auger into the ground with your body weight.
- 5) For heavier soil, move the unit up and down for each foot of depth.
- 6) Do not use this unit in extremely rocky soils. If an object is encountered that is too large for the auger to move, release the throttle control until the engine idles down. Then pull the auger from the hole and turn the engine off. Remove the obstacle, if possible, and resume digging.

**PD241001 ONE MAN 2 H.P. MODEL**

See Parts List on Page 6



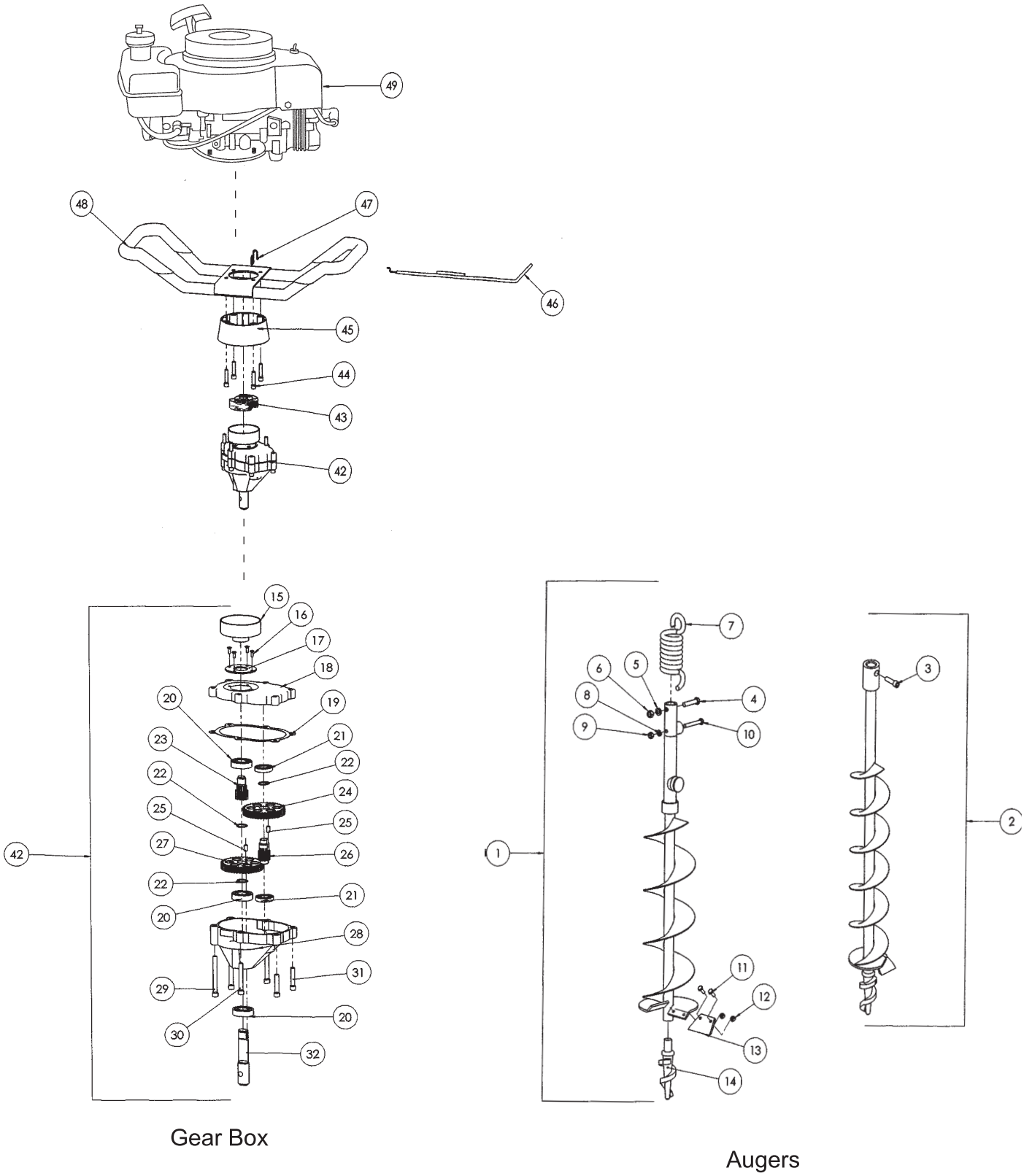
**Gear Box**



**Augers**

**PD241002 ONE MAN 3 H.P. MODEL**

See Parts List on Page 5



## PARTS LIST FOR PD241001 AND PD241002 HAND HELD DIGGERS

Refer to illustrations on pages 4-5

REFERENCE NUMBER	PART NUMBER	DESCRIPTION	NUMBER REQUIRED
	PD241001	One Man 2 H.P. Earth Auger Complete	1
	PD241002	One Man 3 H.P. Earth Auger Complete	1
1	PD241057	10" Auger	1
	PD241055	8" Auger	1
	PD241053	6" Auger	1
2	PD241051	4" Auger	1
3	O/L	3/8"-18 UNC x 1-1/4" Grade 5 Socket Head Bolt	1
4	O/L	3/8"-18 UNC x 1-3/4" Grade 5 Bolt	1
5	O/L	3/8" Lock Washer	1
6	O/L	3/8"-16 UNC Nut	1
7	PD241049	Shaft Spring for 6", 8" and 10" Auger	1
8	O/L	5/16" Lock Washer	1
9	O/L	5/16"-18 UNC Nut	2
10	HW170534	5/16"-18 UNC x 2-1/4" Grade 5 Bolt	2
11	O/L	1/4"-20 UNC x 5/8" Grade 5 Bolt	2
12	O/L	1/4"-20 UNC Nut	2
13	PD241052	4" Auger Cutting Blade	1
	PD241054	5" Auger Cutting Blade	1
	PD241056	8" Auger Cutting Blade	1
	PD241058	10" Auger Cutting Blade	1
14	PD241050	Auger Screw Point	1
15	PD241073	3" Clutch Engagement Housing for PD241002	1
	PD241072	2-1/2" Clutch Engagement Housing for PD241001	1
16	O/L	M5-10 Grade 5 Socket Flat Head Cap Screw for PD241001	4
	O/L	M5-10 Grade 5 Socket Head Cap Screw for PD241002	4
17	PD241090	Bearing Cap for PD241002	1
	PD241091	Bearing Cap for PD241001	1
18	PD241075	Gear Box Top for PD241002	1
	PD241074	Gear Box Top for PD241001	1
19	PD241086	Gear Box Gasket	1
20	PD241084	Large Roller Bearing	3
21	PD241083	Small Roller Bearing	2
22	PD241087	Snap Ring	3
23	PD241077	7 Tooth Clutch Shaft for PD241001	1
	PD241078	12 Tooth Clutch Shaft for PD241002	1
24	PD241080	44 Tooth Gear	1
25	PD241085	Key	2
26	PD241081	Gear Shaft	1
27	PD241080	44 Tooth Gear for PD241002	1
	PD241079	48 Tooth Gear for PD241001	1
28	PD241076	Gear Box Bottom	1
29	O/L	5/16"-18 UNC x 2-3/4" Grade 5 Socket Head Bolt	2
30	O/L	5/16"-18 UNC x 2" Grade 5 Socket Head Bolt	2
31	O/L	5/16"-18 UNC x 1-1/2" Grade 5 Socket Head Bolt	2
32	PD241082	Output Shaft	1
33	PD241008	Gear Box for PD141001	1
34	PD241070	2-1/2" Clutch for PD241001	1
35	O/L	1/4"-20 UNC x 3/4" Grade 5 Socket Head Bolt	4
36	PD241011	Handle for PD241001	1
37	PD241013	Engine Spacer for PD241001	1
38	O/L	5/16"-18 Lock Washer for PD241001	4
39	O/L	5/16"-18 UNC Nut for PDX241001	4
40	PD241012	Throttle Control for PD241001	1
41	PD390534	Tecumseh 2 H.P. TM049 Engine for PD241001	1
42	PD241007	Gear Box for PD241002	1
43	PD241071	3" Clutch for PD241002	1
44	O/L	5/16"-18 UNC x 1-1/4" GR 5 Socket Head Bolt	4
45	PD241023	Clutch Spacer for PD241002	1
46	PD241022	Throttle Control for PD241002	1
47	PD241024	Throttle Control Support for PD241002	1
48	PD241021	Handle for PD241002	1
49	PD390535	Tecumseh 3 H.P. TV085 Engine for PD241002	1

O/L- Obtain locally. Common fasteners available through hardware and farm stores.



## MAINTENANCE



**CAUTION:** *Always remove spark plug wire before performing any maintenance, adjustments or repairs*

- 1) Refer to your Tecumseh Engine Owner's Manual for all engine maintenance questions such as changing oil, spark plug, air filter and all other required maintenance.
- 2) Check the level of gear box lubricant after approximately one year of use. Check sooner if digger is used frequently. Add all-purpose grease only to a point below the top of the gears. **Do not overfill the gearbox.**
- 3) Periodically check all nuts and bolts for tightness.
- 4) Periodically check the cutting blade and tip for wear and replace if necessary.

NOTE: Replacing worn blades and tips will increase digging efficiency

- 5) For long term storage (greater than one month), you may add fuel stabilizer or empty the fuel tank by running the engine until it stops. See the Tecumseh Engine Owner's Manual for specifics. Close the fuel cap vent and store the unit in an upright position.

## LIMITED WARRANTY

This earth auger is guaranteed to be free from defects in material and workmanship for one year from the date of purchase. The Tecumseh engine is covered under a separate warranty in the engine owner's manual. Speeco will repair or replace free of charge any part or parts of the earth auger that in our judgement is found to be defective in material or workmanship during the warranty period stated above. The replaceable screw point and cutting blade are not covered under this warranty. The warranty also does not cover parts that in our judgement have been subjected to negligent use, misuse, alteration, accident or if repairs have been made by anyone except an authorized dealer. Defective parts must be returned to Speeco, Inc. 15000 W. 44th Ave. Golden, CO 80403 with the shipping charges prepaid. This warranty is not transferable to second or subsequent purchasers-users.

Please fill out the enclosed warranty card and return it to us for product registration.



*A brand of Special Products Co.*

15000 W. 44th Ave. Golden Colorado 80403

303-279-5544 Toll Free USA 800-525-8322 Fax 303-278-3432

Email: [speeco@speeco.com](mailto:speeco@speeco.com) Web: [www.speeco.com](http://www.speeco.com)